

we like X ...



Luxura
by Hapro

I like!





we like X3...

we like a solid base



Luxura X₃ is how easiness is spelled: It is the strong all-round talent to enter the Luxura segment. X₃ displays a fresh, compact and up-to-date design that comes in different fashionable colours, so the operator can keep up with the latest trends:

- Pearl White
- Fuchsia Pink

Upgrade the Luxura X₃ with 'Connecting shield' to add more luxury to the sunbed. The optional 'Connecting shield plus' includes Ambient FlowLight, My MP3 and SoundBox to turn tanning into an exciting musical enjoyment.

All features that can be operated by the user, are fit into a clarifying display panel, which is easy to use.



X₃ Fuchsia Pink with Connecting Shield Plus

X₃



X₃ Fuchsia Pink with Connecting shield plus, SLi



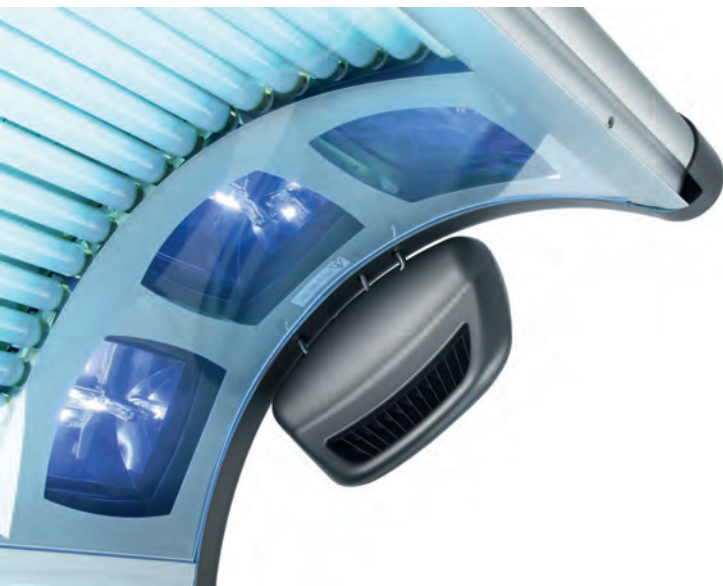
Luxura X₃ comes standard with EcoPower, the electronic ballasts that not only allow the configuration of the tubes to be optimised but also generate energy savings of approximately 25%.



XL Light, 2-m-long tubes, expand the tanning surface to a maximum and ensure a head-to-toe tan without concessions.

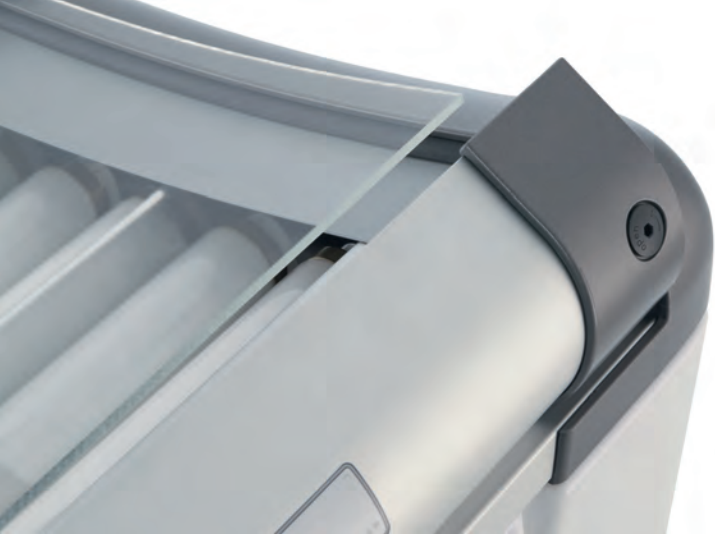
32 SLI Intensive comes standard with 3 x 400 watt facial tanners, the face cooler is an optional extra.

The central air extract is an optional extra.

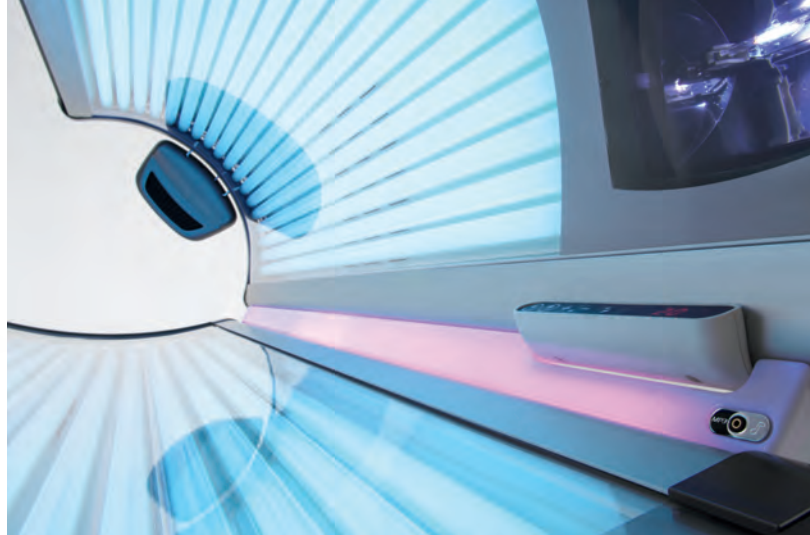


Connecting shield plus comes with a high quality decorative lighted screen. Ambient FlowLight as well as My MP3 and SoundBox are integrated.





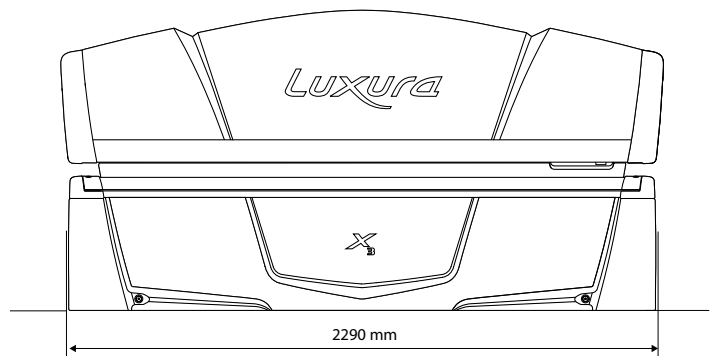
"Easy clean" click-profile bench



The body cooler at the foot end is fitted as standard and ensures a pleasant temperature while tanning

we like ideas

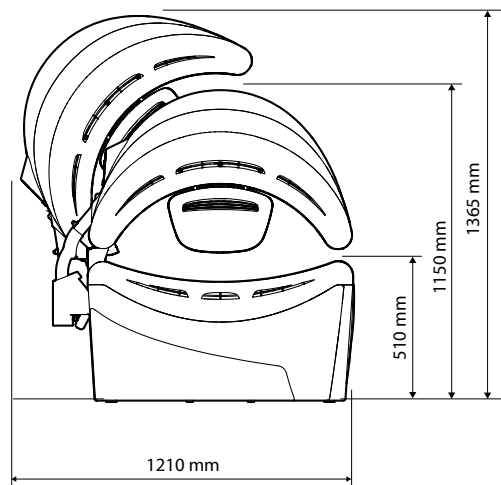
EasyClean click-profile makes maintenance as easy as can be: easy reach of tubes and facial filters – a fast way of cleaning and switching lamps.



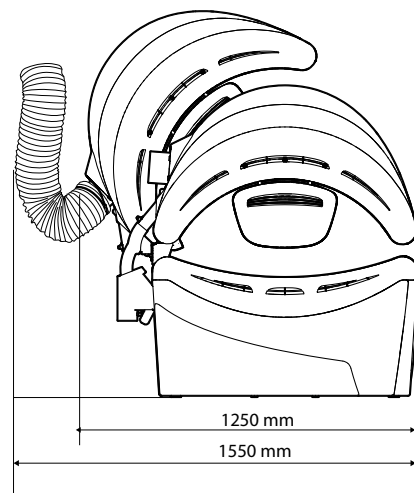
The Luxura X₃ comes with a choice of three different decorative solutions for the connecting space between canopy and bench.



Deco caps
'Deco caps' are fitted as standard.



Connecting shield
In the configuration 'Connecting shield' provides a silver screen throughout the whole length of the sunbed for an integrated, unified look.



Connecting shield plus
This version comes with a high quality decorative lighted screen. Ambient FlowLight as well as My MP3 and SoundBox are integrated.



Pearl White

Fuchsia Pink

Luxura X ₃	32 SLi Intensive
Tubes top	18 x 160 W
Tubes base	14 x 120 W XL
Face tanner	3 x 400 W
Central air exhaust capacity (top)	700 m ³
Connection	400V/3N~/PE/50Hz or 230V/1N~/PE/50Hz
Power	4,7 kW
Fuses	3 x 10 A or 1 x 25 A
Weight	225 kg

Technical modifications reserved.



features

standard

- SPS - 3 x Powerful 400 watt face tanner
- Face tanners (on/off)
- XL Light
- Eco power bench¹
- 3 steps adjustable body cooler
- "Easy clean" click-profile bench
- Deco caps
- Digital timer
- Programmable internal timer
- Connection for external timer
- Hour counter
- Cover for closure backside

optional

- Connecting shield
- Connecting shield plus with Ambient FlowLight, Soundbox and My MP3
- Central air exhaust top
- Face cooler

¹The electronic ballasts - integrated as standard - ensure energy savings of at least 25%.



The fading colour flow with a nearly inexhaustible range of colours provides an extra sense of atmosphere.



The XL tubes, which have a length of two metres, ensure an even, all-over tan.



The electronic ballasts - integrated as standard - ensure energy savings of at least 25% (for X₃ only).



In addition to the four optional music channels from the SoundAround package, the user may plug in his own MP3 player, in order to enjoy his own favourite sounds.





Sunny certainty

A choice for Luxura sunbeds is a choice for certainty. All the appliances meet the most stringent safety regulations and have the CE and/or KEMA quality marks. Moreover, the appliances are carefully developed in accordance with the latest standards for tanning equipment. There's no better way to ensure responsible tanning!

www.vdlhapro.com/luxura

